

## APPLICATION

Roof fans, exhaust RF/EC are designed for ventilation systems of buildings with low levels of air pollution.

They are used:

- in exhaust systems of residential buildings,
- supermarkets, industrial halls, workshops, warehouses,
- toilets, garages, parking lots, outhouse.

## CONSTRUCTION

- rotors with backward blades are made of plastic,
- the base, upper bowl and other components are made of aluminum sheet,
- the protective mesh is galvanized,
- the fans are designed for vertical work,
- suitable for mounting on flat roofs,
- working temperature to +60°C, depending on model.

## MOTOR

- power supply three-phase 400V,
- EC motor,
- 0-10VDC control input, which enables smooth rotation control,
- insulation class F,
- degree of protection IP54.



Protective mesh



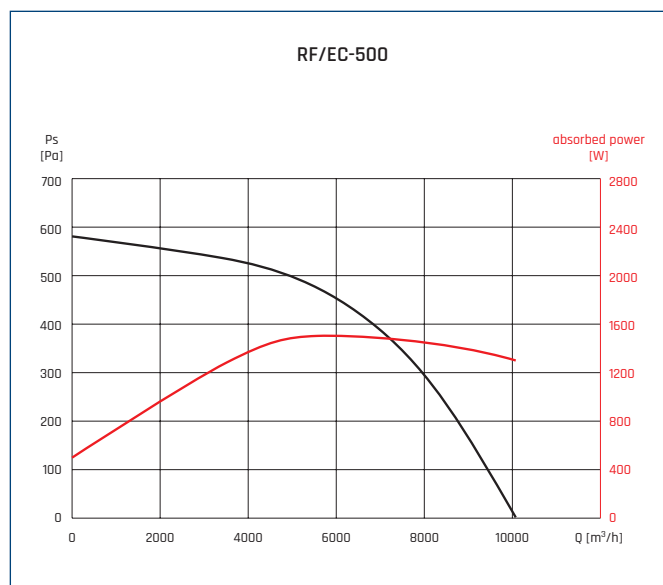
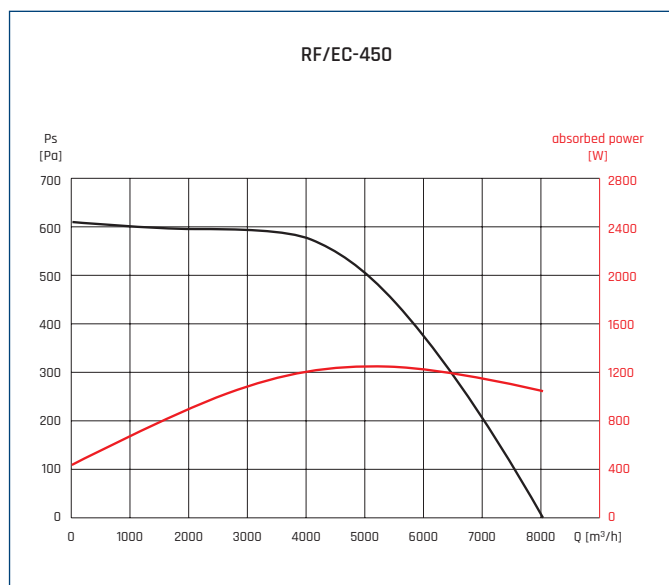
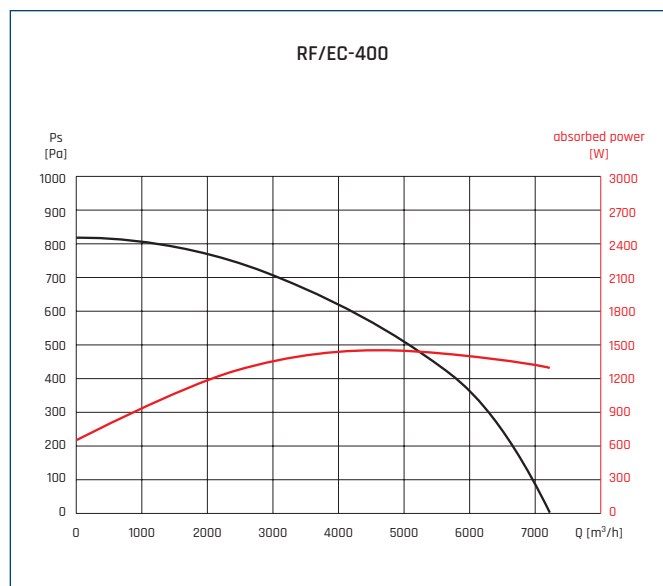
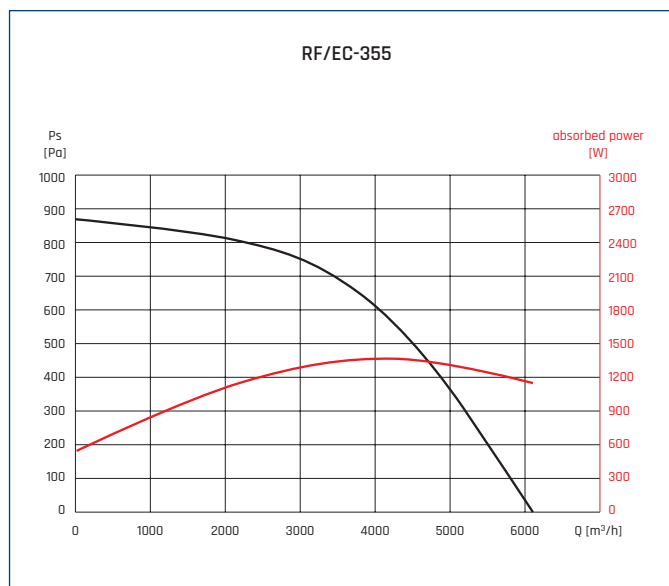
Easy access to the terminal box

## TECHNICAL CHARACTERISTICS

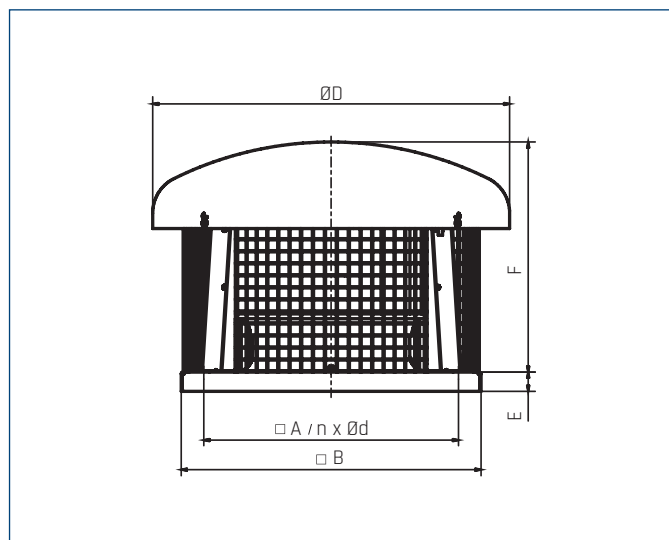
| Type       | airflow max | pressure max | speed    | voltage | current | max absorbed power | sound pressure level* | operating temp. max | weight | regulator   | ErP  | article number |
|------------|-------------|--------------|----------|---------|---------|--------------------|-----------------------|---------------------|--------|-------------|------|----------------|
|            | [m³/h]      | [Pa]         | [r.p.m.] | [V]     | [A]     | [W]                | [dB(A)]               | [°C]                | [kg]   |             |      |                |
| RF/EC-355T | 5800        | 900          | 2100     | 400     | 2,4     | 1320               | 73                    | 60                  | 21,5   | REB ECOWATT | 2018 | 43522935       |
| RF/EC-400T | 7200        | 850          | 1800     | 400     | 2,5     | 1470               | 77                    | 60                  | 28     | REB ECOWATT | 2018 | 43522940       |
| RF/EC-450T | 7900        | 650          | 1400     | 400     | 2,1     | 1250               | 73                    | 60                  | 30     | REB ECOWATT | 2018 | 43522945       |
| RF/EC-500T | 10100       | 600          | 1230     | 400     | 2,6     | 1510               | 72                    | 40                  | 38     | REB ECOWATT | 2018 | 43522950       |

\* measurement made a to distance of 1.5m from the outlet, for Q = 1/2 qmax.

## PERFORMANCE CURVES

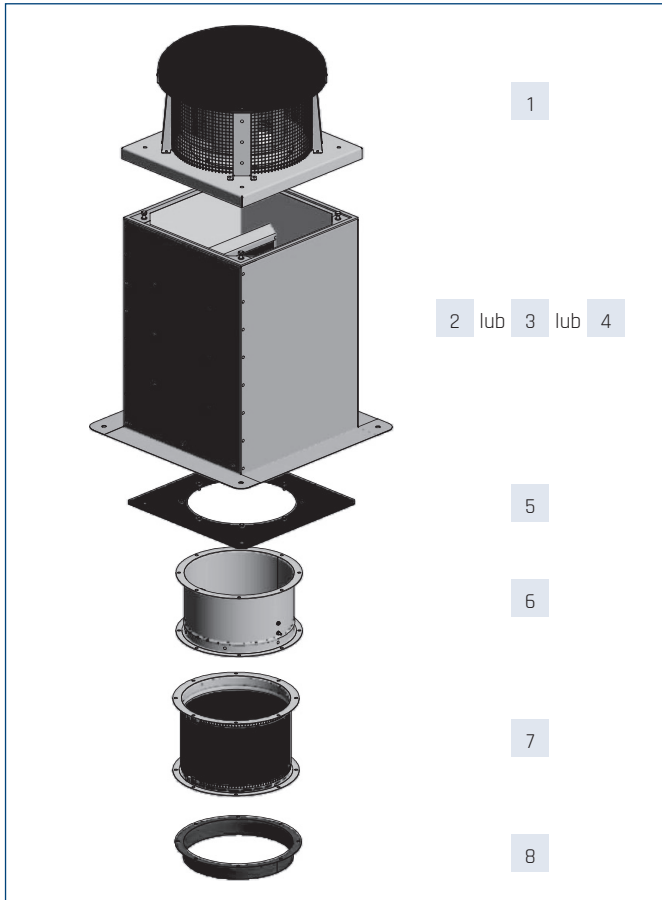


## DIMENSIONS [mm]



| Type | A   | B   | $\varnothing D$ | E  | F   | d  | n |
|------|-----|-----|-----------------|----|-----|----|---|
| 355  | 450 | 560 | 552             | 40 | 431 | 12 | 4 |
| 400  | 450 | 560 | 750             | 40 | 469 | 12 | 4 |
| 450  | 535 | 630 | 750             | 40 | 499 | 12 | 4 |
| 500  | 590 | 710 | 1000            | 40 | 572 | 14 | 4 |

## ACCESSORY ASSEMBLY

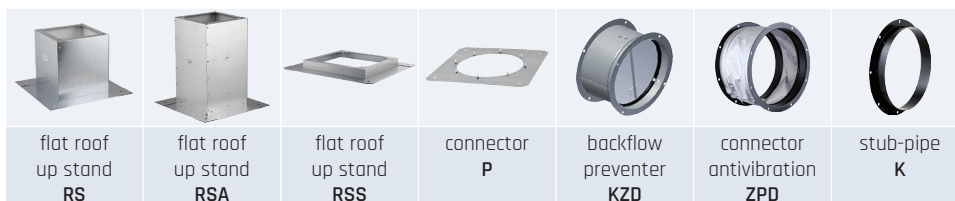


|           | 1                  | 2                  | 3                  | 4                  | 5         |
|-----------|--------------------|--------------------|--------------------|--------------------|-----------|
| Type      | flat roof up stand | flat roof up stand | flat roof up stand | flat roof up stand | connector |
|           | RSS                | RS                 | RSA                | P                  |           |
| RF/EC-355 | RSS 560            | RS 560             | RSA 560            | P 560              |           |
| RF/EC-400 | RSS 560            | RS 560             | RSA 560            | P 560              |           |
| RF/EC-450 | RSS 630            | RS 630             | RSA 630            | P 630              |           |
| RF/EC-500 | RSS 710            | RS 710             | RSA 710            | P 710              |           |

|           | 1 | 6                  | 7                        | 8         |
|-----------|---|--------------------|--------------------------|-----------|
| Type      |   | backflow preventer | connector anti-vibration | stub-pipe |
|           |   | KZD                | ZPD                      | K         |
| RF/EC-355 |   | KZD 560-N          | ZPD 560                  | K 560     |
| RF/EC-400 |   | KZD 560-N          | ZPD 560                  | K 560     |
| RF/EC-450 |   | KZD 630-N          | ZPD 630                  | K 630     |
| RF/EC-500 |   | KZD 710-N          | ZPD 710                  | K 710     |

### Article numbers

|           |          |           |          |         |          |         |          |         |          |
|-----------|----------|-----------|----------|---------|----------|---------|----------|---------|----------|
| K 560     | 43526420 | KZD 710-N | 43527340 | RS 630  | 43526040 | RSS 560 | 43526530 | ZPD 710 | 43527440 |
| K 630     | 43526430 | P 560     | 43526320 | RS 710  | 43526050 | RSS 630 | 43526540 |         |          |
| K 710     | 43526440 | P 630     | 43526330 | RS 560  | 43526130 | RSS 710 | 43526550 |         |          |
| KZD 560-N | 43527320 | P 710     | 43526340 | RSA 630 | 43526140 | ZPD 560 | 43527420 |         |          |
| KZD 630-N | 43527330 | RS 560    | 43526030 | RSA 710 | 43526150 | ZPD 630 | 43527430 |         |          |



## ELECTRICAL ACCESSORIES

| Type      | wall thermostat | duct thermostat  | air quality sensor | humidistat        | regulator   |
|-----------|-----------------|------------------|--------------------|-------------------|-------------|
|           | TS              | TK-1             | SQA                | HIG-2             | REB ECOWATT |
| RF/EC-355 | TS + contactor  | TK-1 + contactor | SQA + contactor    | HIG-2 + contactor | REB-ECOWATT |
| RF/EC-400 | TS + contactor  | TK-1 + contactor | SQA + contactor    | HIG-2 + contactor | REB-ECOWATT |
| RF/EC-450 | TS + contactor  | TK-1 + contactor | SQA + contactor    | HIG-2 + contactor | REB-ECOWATT |
| RF/EC-500 | TS + contactor  | TK-1 + contactor | SQA + contactor    | HIG-2 + contactor | REB-ECOWATT |

### Article numbers

|       |          |             |          |     |          |      |          |    |          |
|-------|----------|-------------|----------|-----|----------|------|----------|----|----------|
| HIG-2 | 40025150 | REB-ECOWATT | 40025005 | SQA | 40025140 | TK-1 | 40025330 | TS | 40025345 |
|-------|----------|-------------|----------|-----|----------|------|----------|----|----------|



## ERP CHARACTERISTICS

| NRVU* |   |                      |                      |                      |                      |
|-------|---|----------------------|----------------------|----------------------|----------------------|
|       | Name  | RF/EC-355T           | RF/EC-400T           | RF/EC-450T           | RF/EC-500T           |
| a     | supplier name                                   | VENTURE INDUSTRIES   | VENTURE INDUSTRIES   | VENTURE INDUSTRIES   | VENTURE INDUSTRIES   |
| b     | article number                                  | 43522935             | 43522940             | 43522945             | 43522950             |
| c     | device category                                 | NRVU                 | NRVU                 | NRVU                 | NRVU                 |
| c     | device type                                     | UVU                  | UVU                  | UVU                  | UVU                  |
| d     | type of drive                                   | variable speed drive | variable speed drive | variable speed drive | variable speed drive |
| e     | type of heat recovery system                    | not applicable       | not applicable       | not applicable       | not applicable       |
| f     | thermal efficiency of heat recovery [%]         | not applicable       | not applicable       | not applicable       | not applicable       |
| g     | reference flow rate in NRVU [m <sup>3</sup> /s] | 1,23                 | 1,24                 | 1,47                 | 1,93                 |
| h     | electric power input [kW]                       | 1,34                 | 1,61                 | 1,25                 | 1,61                 |
| i     | SFPint [W/(m <sup>3</sup> /s)]                  | 1094                 | 1306                 | 853                  | 833                  |
| j     | face velocity [m/s]                             | 3,87                 | 3,47                 | 3,7                  | 4,35                 |
| k     | $\Delta p_{s, ext}$ [Pa]                        | 530                  | 616                  | 419                  | 425                  |
| l     | $\Delta p_{s, int}$ [Pa]                        | not applicable       | not applicable       | not applicable       | not applicable       |
| m     | $\Delta p_{s, add}$ [Pa]                        | not applicable       | not applicable       | not applicable       | not applicable       |
| n     | static efficiency of fans [%]                   | 47,00%               | 47,00%               | 49,00%               | 51,00%               |
| o     | maximum external leakage rate [%]               | 0                    | 0                    | 0                    | 0                    |
| p     | energy performance                              | not applicable       | not applicable       | not applicable       | not applicable       |
| q     | visual filter warning                           | not applicable       | not applicable       | not applicable       | not applicable       |
| r     | $L_{wA}$ [dB(A)]                                | 73                   | 77                   | 73                   | 72                   |
| s     | internet address                                | www.ventur.eu        | www.ventur.eu        | www.ventur.eu        | www.ventur.eu        |

\* NRVU - "non-residential ventilation unit" - according to COMMISSION REGULATION (EU) No 1254/2014.