



APPLICATION

The fan is intended for transport systems of non-aggressive and non-explosive gases without contamination, in mobile station applications and hydraulic installations. Typical applications are:

- pneumatic transport in agricultural machinery,
- auxiliary equipment for special vehicles.

CONSTRUCTION

- high-pressure radial fan,
- hydraulic direct drive,
- any mounting for the application - console/tripod adapted to the customer's needs, (required for proper operation),
- welded rotor (material agreed with the client based on operating parameters and the hydraulic motor used),
- cast aluminum housing,
- galvanized inlet and outlet cover,
- fan painted in RAL7042,
- maximum temperature of the pumped medium 150°C,

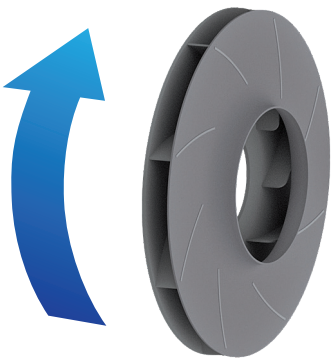
HYDRAULIC MOTOR

- Possibility to use any hydraulic motor depending on the customer's needs,
- Hydraulic motors are used to drive the fan, e.g.:
 - Axial-piston type, ensuring free adjustment
 - Gears with external gearing

SPECIAL EXECUTIONS

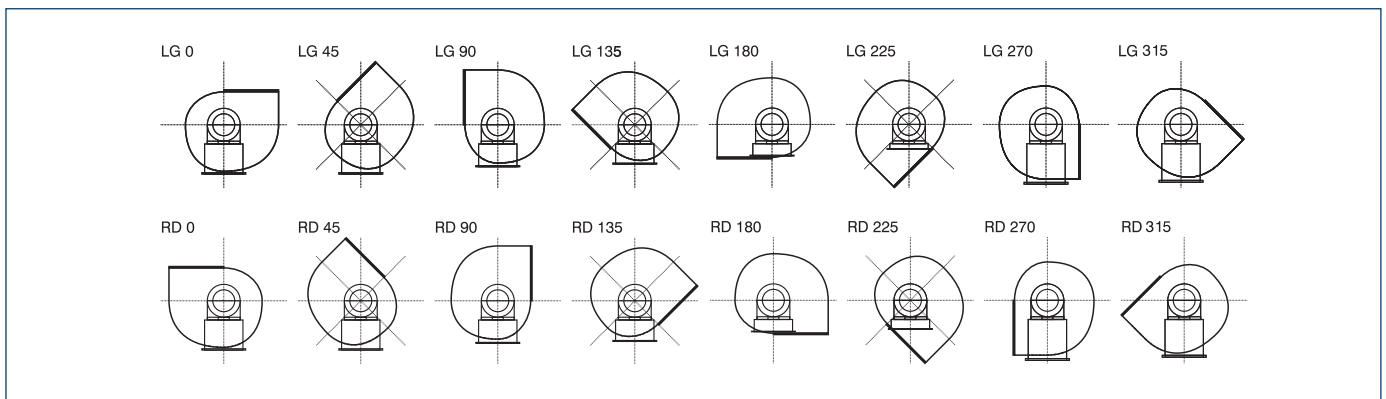
- possibility of special execution, e.g. for light dusts, fine fractions,
- any figure type LG/RD,
- painting in any color according to the RAL palette,
- Additional measuring equipment, e.g. manometer, etc.

Rotor:



The technical data contained below are presented for information purposes only. For optimal fan selection, it is recommended to contact the Venture Industries Technical Department.

POSITIONS



TECHNICAL CHARACTERISTICS*

Type	airflow max*	pressure max*	speed	inlet flow	pressure**	sound pressure level***
	[m ³ /h]	[Pa]	[r.p.m.]	[l/min]	[bar]	[dB(A)]
HPB-HD 25	2 300	13 300	10 000	50	350	83
HPB-HD 30	3 300	21 800	10 000	50	350	83
HPB-HD 40	3 200	28 900	10 000	50	350	86
HPB-HD 200	4 150	29 770	10 000	50	350	92
HPB-HD 260	6 700	39 650	10 000	50	350	92
HPB-HD 300	7 500	37 450	10 000	50	350	92
HPB-HD 360	10 900	50 100	10 000	50	350	90

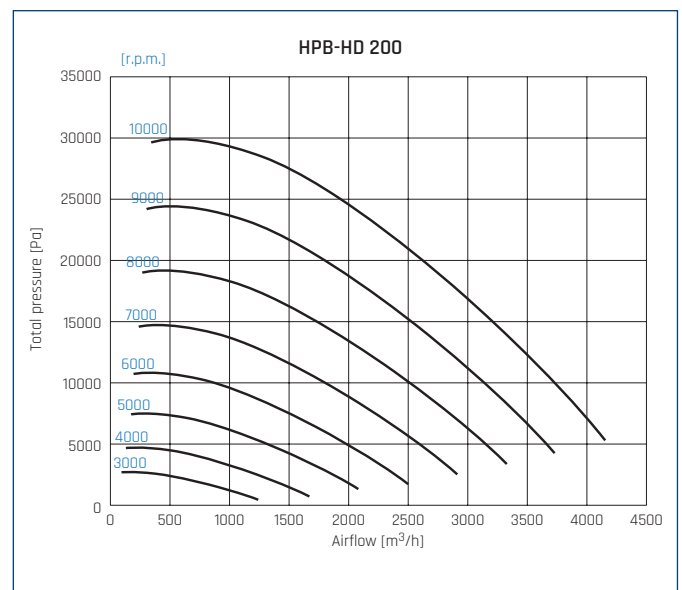
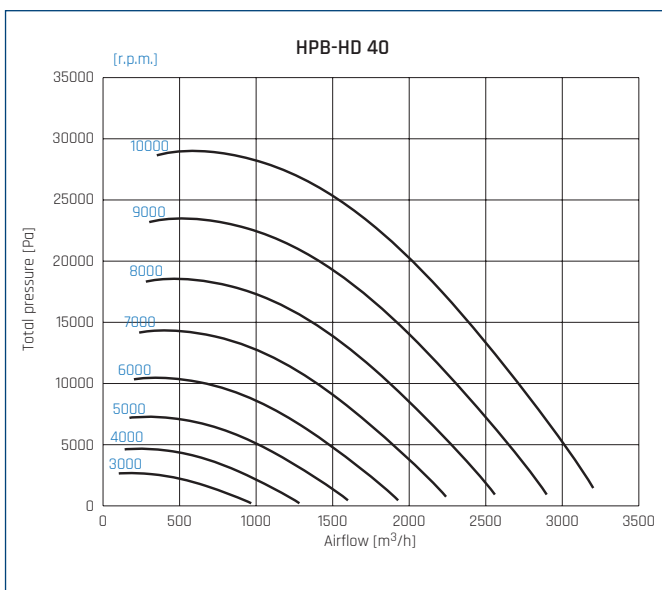
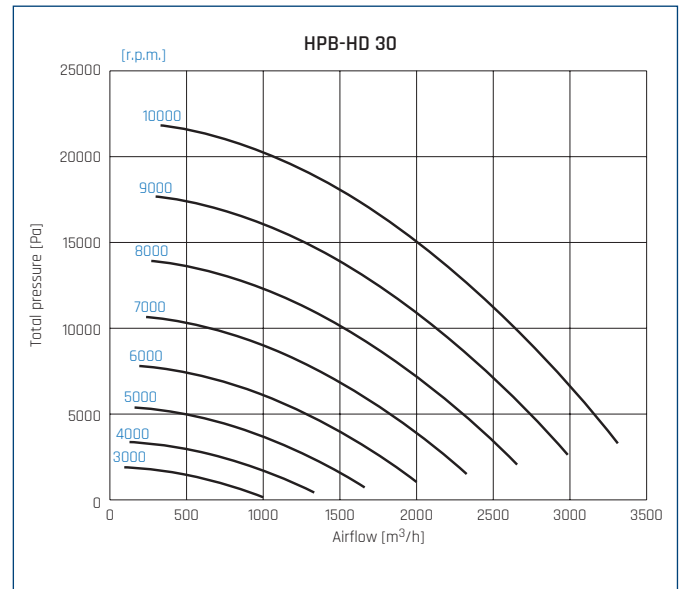
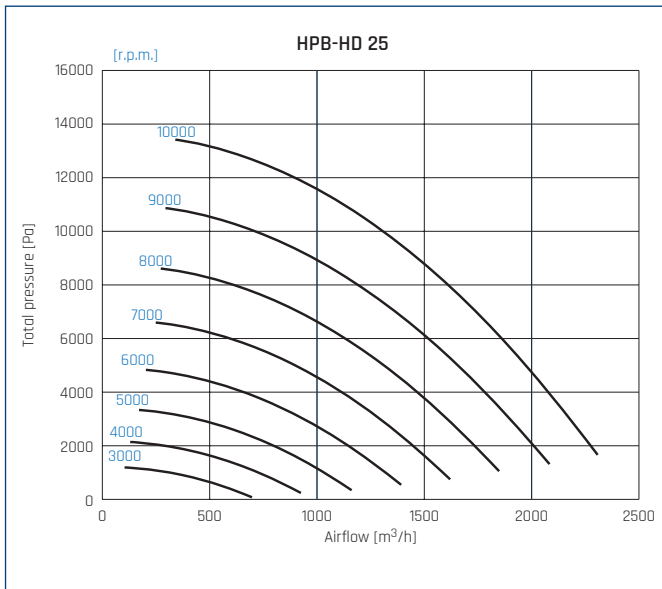
* for the maximum possible speed of the hydraulic motor

** hydraulic pressure in installation necessary for proper work of hydraulic motor at maximum load

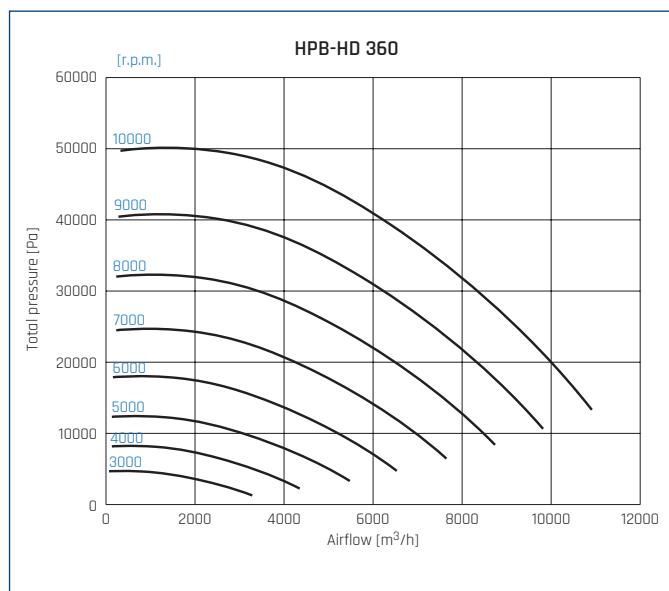
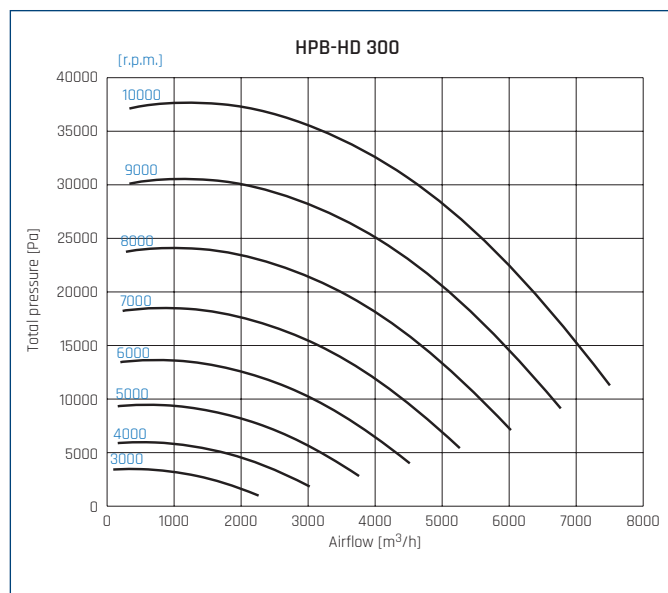
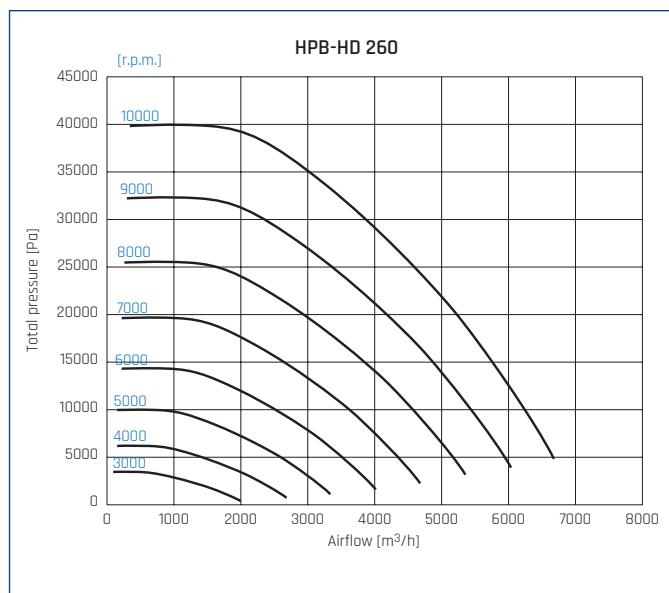
*** sound pressure measured at a distance of 1,5m from the fan at $q=2/3 \cdot q_{max}$.

NOTES: The parameters of the fan operation depend on the hydraulic system in the application

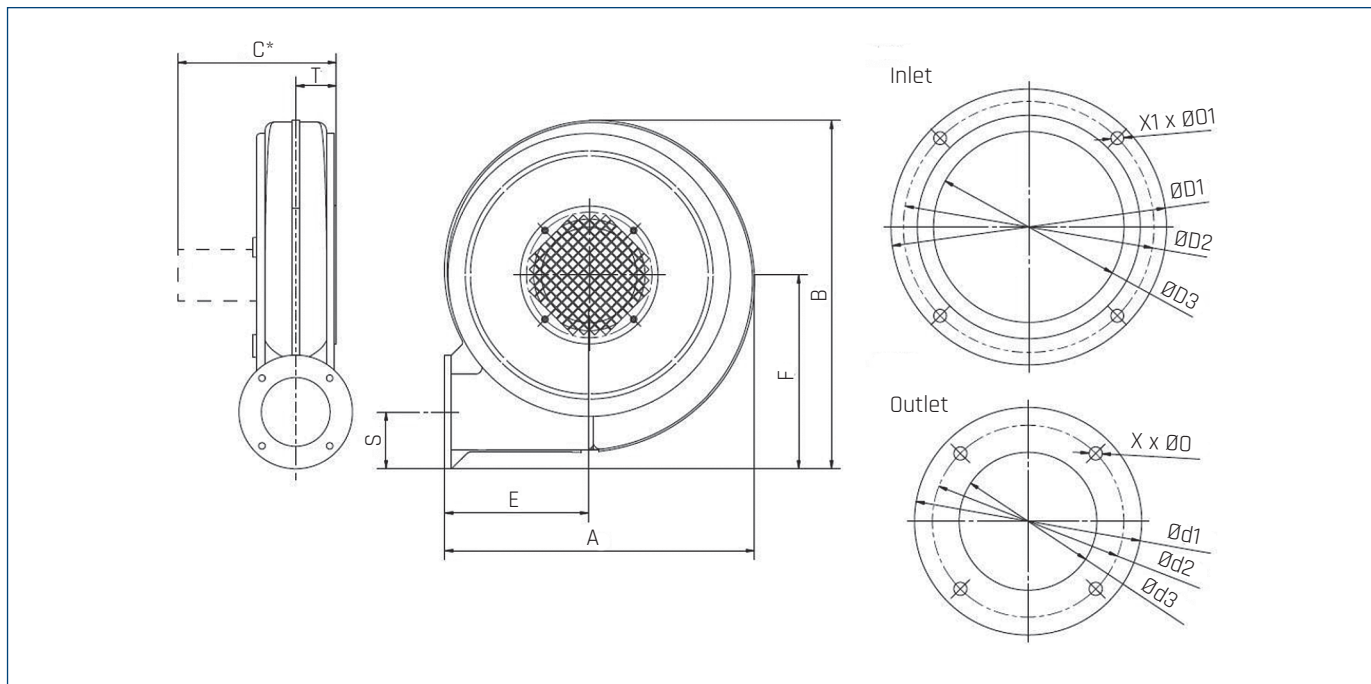
PERFORMANCE CURVES



PERFORMANCE CURVES



DIMENSIONS [mm]



Type	A	B	Ød1	Ød2	Ød3	ØD1	ØD2	ØD3	E	F	Ø0	Ø01
HPB HD-25	357	370	115	95	65	165	139	126	180	208	10	M8
HPB HD-30	357	370	160	135	100	165	139	126	180	208	11	M8
HPB HD-40	405	444	165	139	100	200	165	150	200	245	10	M8
HPB HD-200	450	514	165	139	100	165	139	126	210	290	10	M8
HPB HD-260	450	514	165	139	100	200	182	162	210	290	10	M8
HPB HD-300	523	577	191	165	125	200	182	140	248	320	10	M8
HPB HD-360	570	690	230	200	160	200	182	162	270	368	10	M8

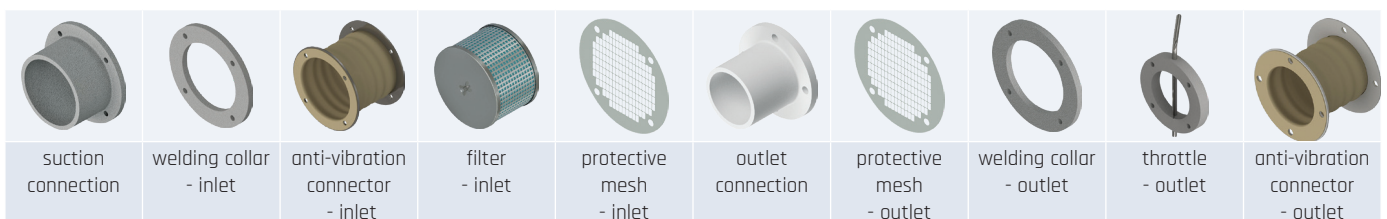
* Dimension C of the fan depends on the length of the motor used.

ACCESSORY ASSEMBLY



Inlet					
1	2	3	4	5	6
Type	Suction connection	Welding collar	Anti-vibration connector	Filter	Protective mesh
HPB-HD 25	46515040	45515460	42519930	25511485-22 (H=173)	26510223
HPB-HD 30	46515040	45515460	42519930	25511485-22 (H=173)	26510223
HPB-HD 40	46515053 (d=150)	-	42519930-01	25511485-24	26510223-05
HPB-HD 200	46515040 (d=125)	45515460	42519930	25511485	26510223
HPB-HD 260	46515050	45515510	42519931	25511486-12	25511384
HPB-HD 300	46515050	45515510	42519932	25511486-14	25511508
HPB-HD 360	46515050	45515510	42519931	25511486-12	25511693

Outlet					
1	7	8	9	10	11
Type	Outlet connection	Protective mesh	Welding collar	Throttle	Anti-vibration connector
HPB-HD 25	45510450	45510550	45515450	-	-
HPB-HD 30	45510470 (d=100)	25511536-06	45516578	45510415	42519936
HPB-HD 40	46515040-01 (d=100)	26510224	45515500	-	42519937
HPB-HD 200	46515040-01 (d=100)	26510224	45515500	-	42519937
HPB-HD 260	46515040-01 (d=100)	26510224	45515500	-	42519937
HPB-HD 300	46515060-10 (d=125)	25511503	45516580	25511347	42519940
HPB-HD 360	46515065-01 (d=160)	26510173	45516587	25511348	42519941



SPECIAL ACCESSORIES *

12	13	14	15
Mounting	Pressure gauge	Rotational speed meter	Protection
			
Type and shape of mounting are manufactured individually for the customer	Pressure gauge up to 50 bar	Rotational speed meter	Mesh cover, selected individually for the client. Recommended for fans operating above 6 000 rpm

* All special accessories are selected in consultation with the customer by employees of the Technical Department of venture Industries