



## APPLICATION

AFS fans are designed to deliver a lot of air. The AFS fans may be used for:

- ventilation and cooling systems at various workplaces
- cooling of engines, compressors, electrical equipment, etc.
- ventilation systems in industrial rooms, sports halls, and storage facilities
- for drying painted surfaces, etc.
- for inflating figures and balloons used for advertising purposes, etc.

## CONSTRUCTION

A mobile axial fan. The housing is made of welded steel sheet painted with powder paint. The rotor is made of glass-fibre reinforced polypropylene. The hub is made of aluminium. Connection with a 3 meter lead-through cable. On request, the fans can be supplied in any colour from the RAL palette (RAL 9005 - black is the standard colour).

## MOTOR

Asynchronous single-phase 230V, 50Hz. Insulation class F, degree of protection IP 55. The motors are made in accordance with EC 60072 and 60034 standards, and have been awarded with a CE mark. The AFS fans are provided with rotational speed control.

Optional possibility to order a fan without regulator.



WWW

DTR

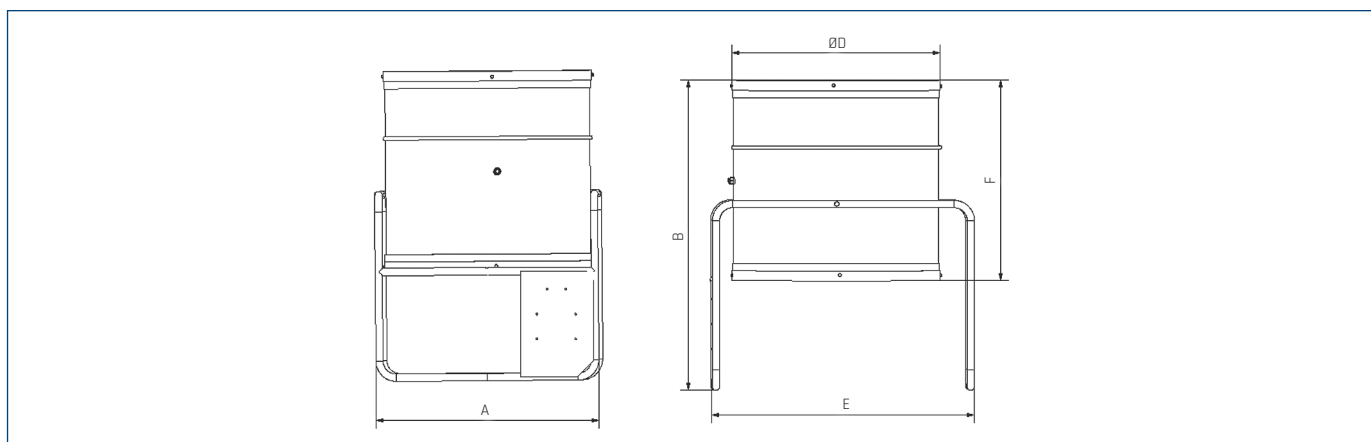
CE

## TECHNICAL CHARACTERISTICS

Type	speed	voltage	maximum absorbed power	maximum absorbed current	airflow	sound pressure level*	weight	article number
	[r.p.m.]	[V]	[kW]	[A]	[m <sup>3</sup> /h]	[dB(A)]	[kg]	
AFS/2-350-055 S RU	2820	230	0,55	3,6	5750	78	24	42410010
AFS/2-400-110 S RU	2780	230	1,1	7,0	8000	80	26	42410020-01
AFS/4-560-110 S RU	1370	230	1,1	7,2	12000	77	37	42410050

\* - sound pressure level measured at 1,5 m

## DIMENSIONS [mm]



Type	A	B	ØD	E	F
350	414	630	350	529	400
400	464	630	400	580	430
560	624	630	580	740	450

## AIR THROW CURVES [m]

